



EU, EUV or EUxDM

ELECTRIC UNLOCK TRIM - for use with 10/20/21/30/70/71/80/81/82/83 Series Exit Device

Provides remote means of locking or unlocking a door for authorized entry, access control, security or safety needs when used in conjunction with any Detex wide stile rim (10 Series), surface vertical rod (20 Series), mortise (30 Series - specify EUxDM) or concealed vertical rod (70/71, 80/81, 82/83 Series - specify EUV) exit device. Excellent source of security for stairwell doors, elevator lobbies, or other access control systems used in installations in schools, universities, hospitals, retail, industrial, etc.



Benefits -

- Retrofits over existing Detex lever trim
- Clutching trim limits vandalism
- Key override for emergency entrance during loss of power (FSE)

Features -

- Cylinder override
- Spring loaded tailpiece
- Vandal resistant break-away type lever

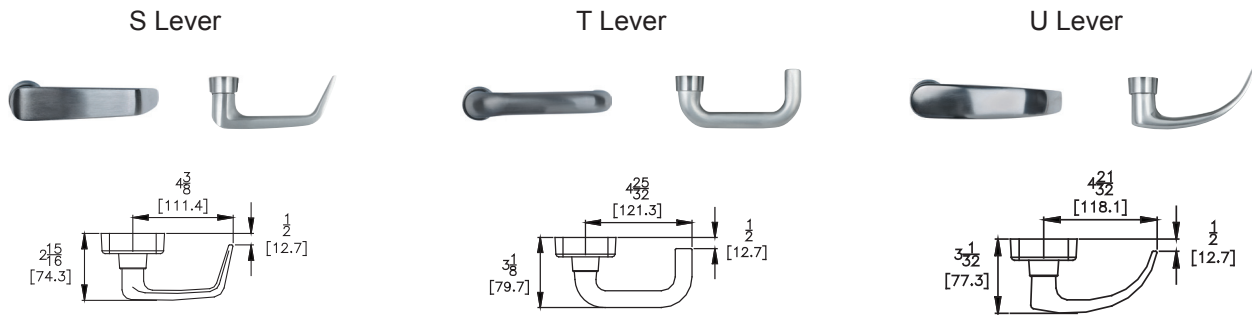
Mechanical Options -

- Not Field Reversible
- EU - Comes standard as D Trim, with S style Lever and Fail Secure (FSE), for use with Detex wide stile (10 Series) Rim or (20 Series) Surface Vertical Rod Device
- EU x DT or DU - Comes with T style or U style lever, for use with Detex wide stile (10 Series) Rim or (20 Series) Surface Vertical Rod Device
- EUV - Comes standard as D Trim, with S style Lever and Fail Secure (FSE), for use with Detex wide stile (70/71, 80/81, 82/83 Series) Concealed Vertical Rod Device
- EUV x DT or DU - Comes with T style or U style lever, for use with Detex wide stile (70/71, 80/81, 82/83 Series) Concealed Vertical Rod Device
- EU x DM - Comes with S style lever, for use with Detex (30 Series) Mortise Exit Device
- EU x DMT or DMU - Comes with T style or U style lever, for use with Detex (30 Series) Mortise Exit Device

Electrical Options -

- Fail Secure (FSE) - During power failure, device will be locked (Security option)
ex: EU x FSE x DU
- Fail Safe (FSA) - During power failure, the trim will always be unlocked. (Life Safety option)
ex: EU x FSA x DM
- Not Field Selectable
- Not Field Selectable

Lever Options -



Accessories

- MC65 - Mortise Cylinder
- IC7 - 7-pin Mortise Cylinder Housing (Core not included)
- 80-800 - 24 VDC power supply with battery charging circuit
- 90-800 - 24 VDC power supply without battery charging circuit
- CCL - Long cylinder collar (11/16")
- SE-2 - Shaft extension for 2 to 2 1/2" thick doors

Finishes

605 / US3 Polished Brass
 606 / US4 Brushed Brass
 611 / US9 Polished Bronze

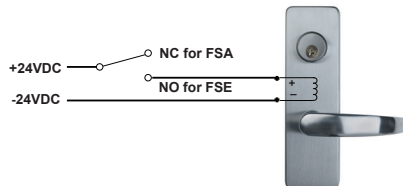
612 / US10 Brushed Bronze
 613 / US10B Oil Rubbed Bronze

629 / US32 Polished Stainless Steel
 630 / US32D Brushed Stainless Steel

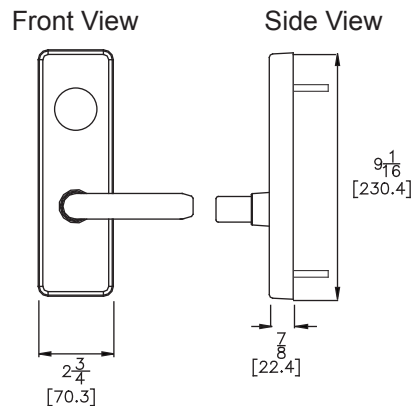
Technical Information

- 24VDC / 150ma continuous duty

Wiring Diagram -



Dimensions -



Detex Limited Warranty

10 Year Mechanical/3 Year Electrical Limited Manufacturer's Warranty

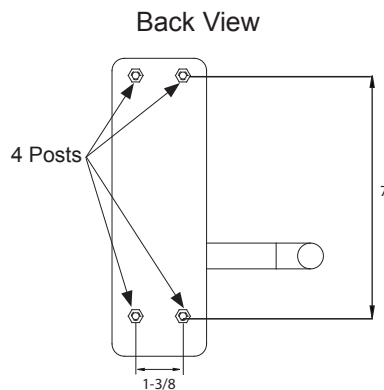
Listings and Approvals -

MIL-STD 810F (G), Method 509.4 (Salt Fog Test)

MIL-STD 810F (G), Method 506.4 (Driving Rain), Procedure 1

UL1034 - 33 Temperature Section 33 [Temperature Range -31° F (-35° C) to 150° F (+66° C)]

UL1034 - 53 Dust Section 53



Where Trust is Built™
DETEX®
Life Safety and Security Door Hardware

Detex Corporation
 302 Detex Drive
 New Braunfels, Texas 78130-3045 USA
 PH. (830) 629-2900
 (800) 729-3839
 FAX (830) 620-6711
 (800) 653-3839
<http://www.detex.com>
 USA Sales:
marketing@detex.com
 International Sales:
export@detex.com